

AXOR Carlton

Thermostatic mixer for concealed installation with shut-off/ diverter valve and cross handle

Surfaces: **Chrome/Gold Optic** Article Number: **17725090**

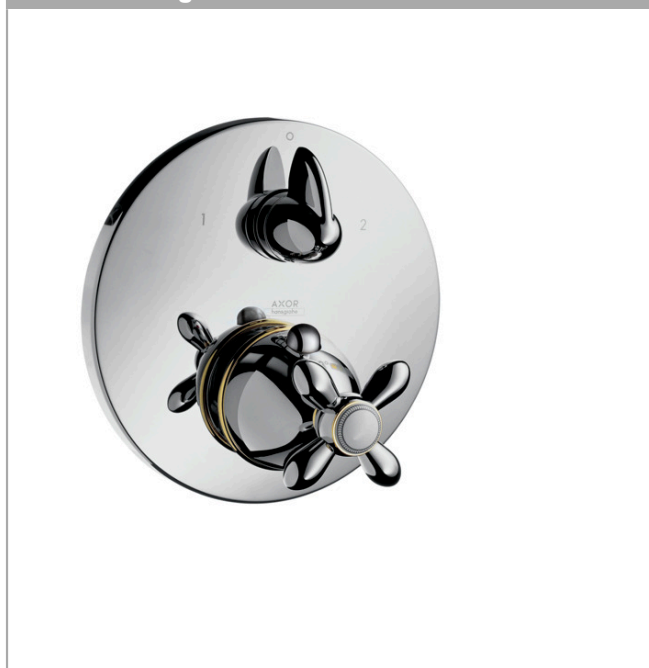


Description

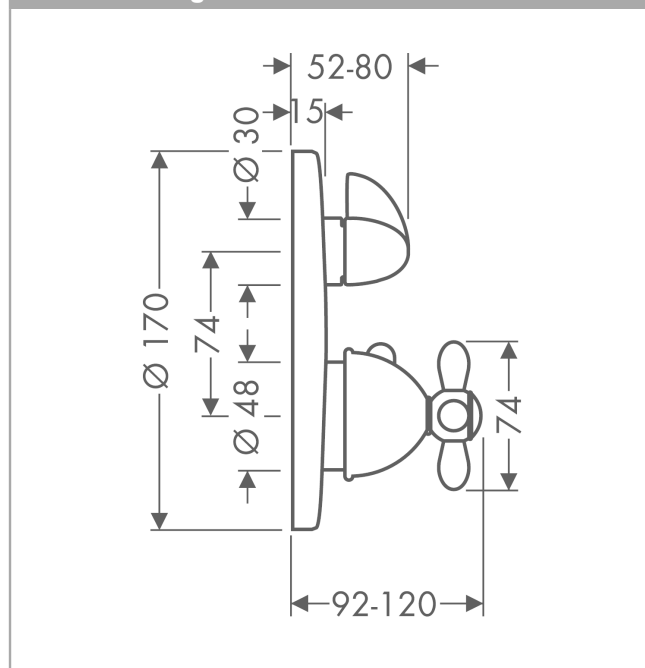
product features

- 2 outlets
- thermostat cartridge, shut-off valve
- min. operating pressure: 1 bar
- max. operating pressure: 10 bar
- safety lock at 38° C
- temperature limitation adjustable
- with silencer
- connection type: basic set
- PA-IX 9062/IAA
- DVGW NW-6509BT0550
- ETA VA 1.43/18753
- ACS 19 ACC LY 234, valide jusqu'au 05.11.2023
- MCA 1300009/M1
- JWVA E-565
- Kiwa K11292_Thermostatic mixers
- SINTEF 3088

Product image



Scale drawing



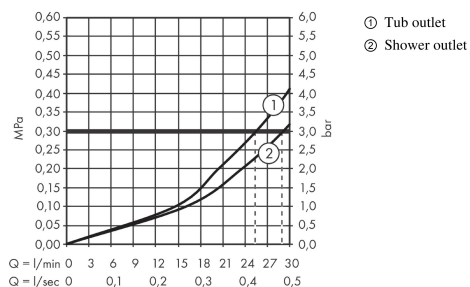
AXOR Carlton

Thermostatic mixer for concealed installation with shut-off/ diverter valve and cross handle

Surfaces: **Chrome/Gold Optic** Article Number: **17725090**



Flowchart



AXOR Carlton

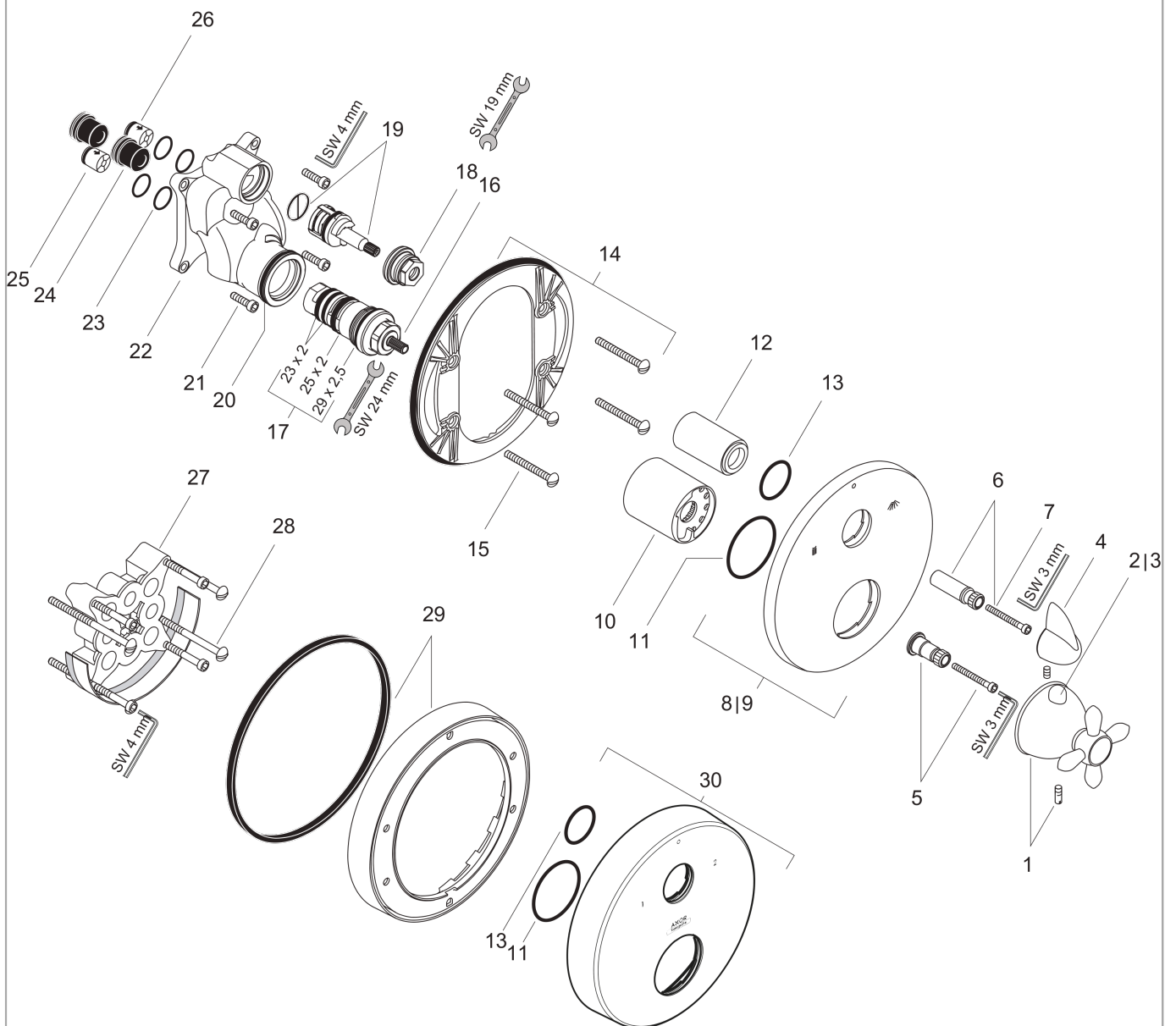
Thermostatic mixer for concealed installation with shut-off/ diverter valve and cross handle

Surfaces: **Chrome/Gold Optic** Article Number: **17725090**



Exploded Drawing

Year of production: >02/09



AXOR Carlton

Thermostatic mixer for concealed installation with shut-off/ diverter valve and cross handle

Surfaces: **Chrome/Gold Optic** Article Number: **17725090**



Spare part list

Year of production: >02/09

| Pos. | Description | Article Number | PC | PU |
|------|---|----------------|----|----|
| 1 | handle for thermostat | 17994000 | 16 | 1 |
| 2 | pushbutton red | 97212000 | 7 | 1 |
| 3 | pushbutton | 97792000 | 5 | 1 |
| 4 | handle | 96449000 | 10 | 1 |
| 5 | adapter for handle | 96435000 | 6 | 1 |
| 6 | adapter for handle | 96451000 | 5 | 1 |
| 7 | hexagon socket screw M4x35 | 92160000 | 1 | 1 |
| 8 | escutcheon Ø 170 mm | 96552000 | 12 | 1 |
| 9 | escutcheon for exchanged connections | 97193000 | 11 | 1 |
| 10 | sleeve | 96439000 | 9 | 1 |
| 11 | O-Ring 48x3 | 95508000 | 1 | 1 |
| 12 | sleeve | 96446000 | 8 | 1 |
| 13 | O-ring 29x3 | 98371000 | 2 | 1 |
| 14 | sub plate | 96447000 | 10 | 1 |
| 15 | set of fixing screws | 96454000 | 3 | 1 |
| 16 | thermostat cartridge | 94282000 | 15 | 1 |
| 17 | sealing set | 95037000 | 10 | 1 |
| 18 | nut | 92853000 | 3 | 1 |
| 19 | shut off unit with selector | 96509000 | 13 | 1 |
| 20 | O-ring 39x2 | 98158000 | 1 | 1 |
| 21 | set of screws | 96525000 | 3 | 1 |
| 22 | installation unit cpl. | 92591000 | 19 | 1 |
| 23 | O-ring 16x2 | 98133000 | 1 | 1 |
| 24 | noise reduction | 94073000 | 7 | 1 |
| 25 | non return valve (pressure-resistant up to 2 MPa) | 92594000 | 5 | 1 |
| 26 | set of non return valves DW 15 | 94074000 | 5 | 1 |
| 27 | extension 25 mm | 13595000 | 98 | 1 |
| 28 | set of fixing screws | 97747000 | 1 | 1 |
| 29 | extension 22 mm (Ø 170 mm) | 13596000 | 98 | 1 |
| 30 | escutcheon height = 33 mm (when wall is not deep enough). | 14962000 | 98 | 1 |
| a | concealed item | 01800180 | 98 | 1 |
| b | adapter for exchanged connections | 93181000 | 18 | 1 |
| c | non return valve with filter | 92499000 | 5 | 1 |